

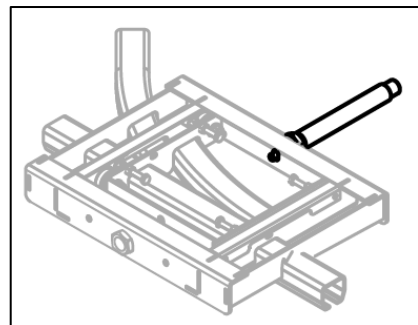
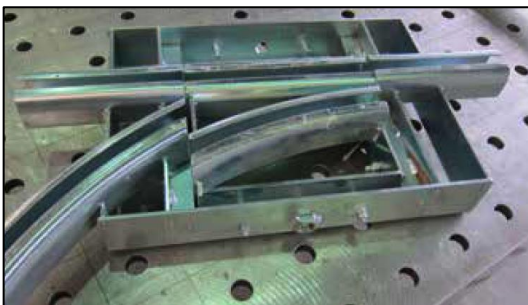
Modular carrier system

eZZLINKrail

Each handling system consists of a load handling device (LAM), a lifting device and the associated carrier system (cranes). eZZLINK are crane and carrier systems for a wide variety of handling systems and applications - stationary or mobile.

The modular support system of the eZZLINKrail is used when linear work areas are to be equipped with a handling system and the track or rail system can be attached to the ceiling. The design is flexible and adapts to the conditions on site, through curves and switches.

The rail system can be made of steel, stainless steel or aluminum.





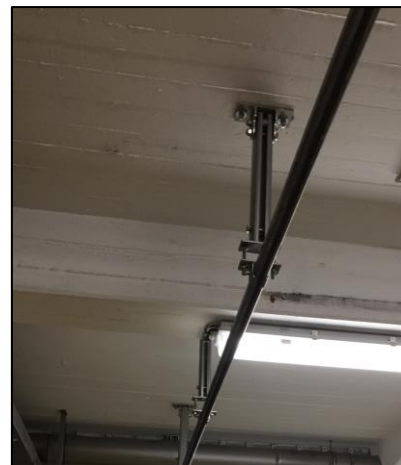
Areas of application for rail systems:

- Loading and unloading
- Processes
- Reloading
- Palletizing
- Picking
- Numerous handling tasks in the production, testing and packaging
- Process

Features:

- Execution also for low room heights
- Also available in stainless steel
- Variable and flexible
- Flexible solution for work areas
- Also suitable for ex-areas

Load capacity: up to 1000 kg



Other carrier systems ezzLINK

		
ezzLINK rack in the design of an H crane	ezzLINK flex crane system for the tightest spaces	ezzLINK eco crane system designed as a compact jib pillar jib crane

